



# Z-Wave Fingerprint Keypad Deadbolt

**KA202**



## Z-Wave Plus Enabled

Upgrade to a Z-Wave smart lock for compatibility with most smart home systems.



## Fingerprint Access

Stores up to 50 fingerprints for family members. Recognizes your fingerprint in 0.3s.



## PIN Code

Supports 250 PIN Codes ranging 4-10 digits.



## One-Time PIN Code

Share One-Time PIN Codes with friends, family members, or service providers.



## One-Touch Locking

Press any of the buttons on the keypad for 2 seconds to lock the device without a key.



## Auto Lock

Set your lock to automatically lock after a certain period of time.



## Away Mode

This is a safety feature when you leave for vacation or a long trip, disabling all User PIN Codes.



## Silent Mode

The sounds when pressing the keypad can be muted. However you will still hear low battery warnings and system alerts.



## Wrong Entry Limit

After 10 failed unlocking attempts, the device will switch off for 3 minutes.



## Backup Keyway

Comes with 2 keys for constant access to your home.



## Easy Installation

Installs in minutes with just a screwdriver, easy to DIY..



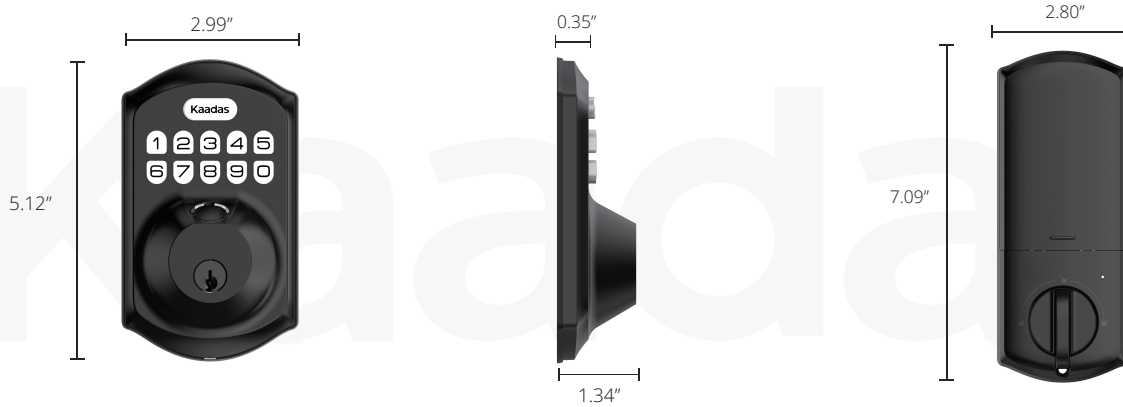
Satin Nickel



Oil Rubbed Bronze



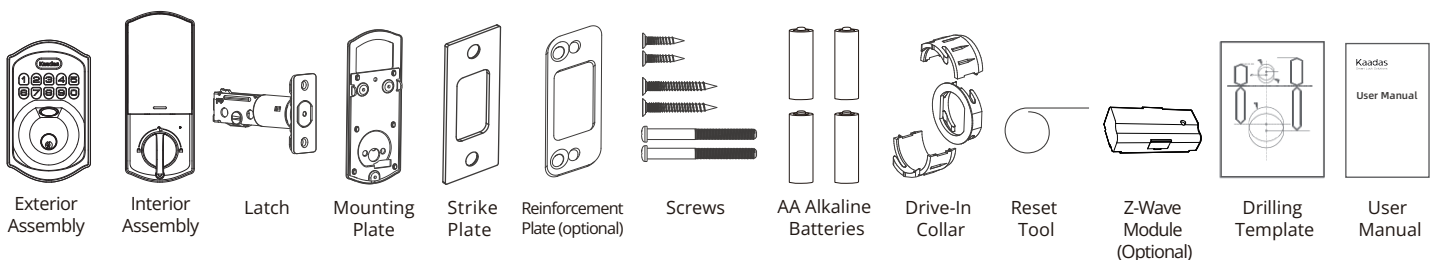
Matte Black



## Specifications

Bolt Type	Standard Deadbolt	Automatic Handing	Yes
Application	Residential Door	Wrong-Entry Alarm	10 times/3min
Main Material	Zinc Alloy	Low Battery Alarm	Yes
Battery	4 AA Alkaline Batteries	Jam Alarm	Yes
Keypad Type	Backlit Push Button	IP Rating	IP65 Rated Dust Proof Water Proof
PIN Code	Master PIN Code x 1 User PIN Code x 250 One-Time PIN Code x 1	Working Temperature	-22 to 140°F (-30-60°C)
Code Length	4-10	Door Prep Size	1.5/2.13 inch (38/54mm) Adjustable
Fingerprint Quantity	50	Door Thickness	1.38 to 1.97 inch (35-50mm)
Safety Function	Auto Lock One-Time PIN Code Lockout Mode Away Mode	Backset	2.36/2.76 inch (60mm/70mm) Adjustable
Keyway	SC1	IoT Connection	Z-Wave

## What's in the box



More options and compatible products at <https://kaadassolutions.com>