



Z-Wave Keypad Deadbolt

KA201



Z-Wave Plus Enabled

Upgrade to a Z-Wave smart lock for compatibility with most smart home systems.



Away Mode

This is a safety feature when you leave for vacation or a long trip, disabling all User PIN Codes.



PIN Code

Supports 250 PIN Codes ranging 4-10 digits.



Silent Mode

The sounds when pressing the keypad can be muted. However you will still hear low battery warnings and system alerts.



One-Time PIN Code

Share One-Time PIN Codes with friends, family members, or service providers.



Wrong Entry Limit

After 10 failed unlocking attempts, the device will switch off for 3 minutes.



One-Touch Locking

Press any of the buttons on the keypad for 2 seconds to lock the device without a key.



Backup Keyway

Comes with 2 keys for constant access to your home.



Auto Lock

Set your lock to automatically lock after a certain period of time.



Easy Installation

Installs in minutes with just a screwdriver, easy to DIY.



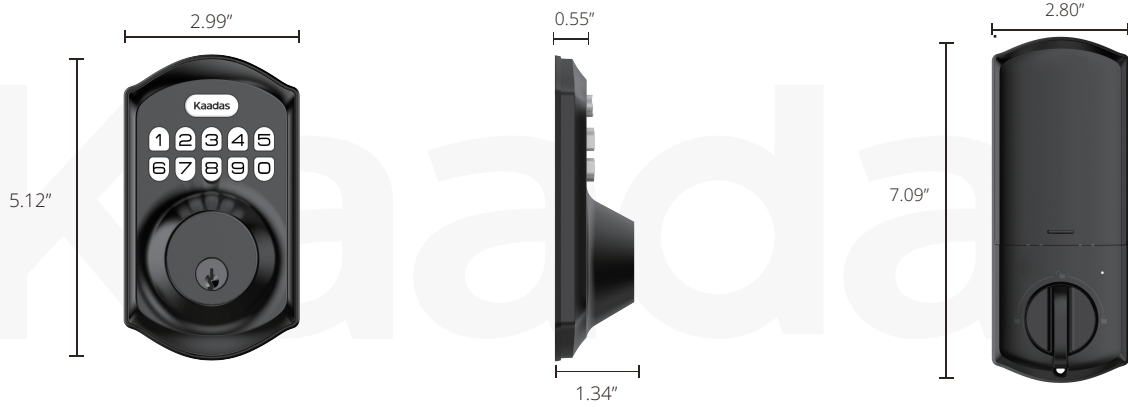
Satin Nickel



Oil Rubbed Bronze



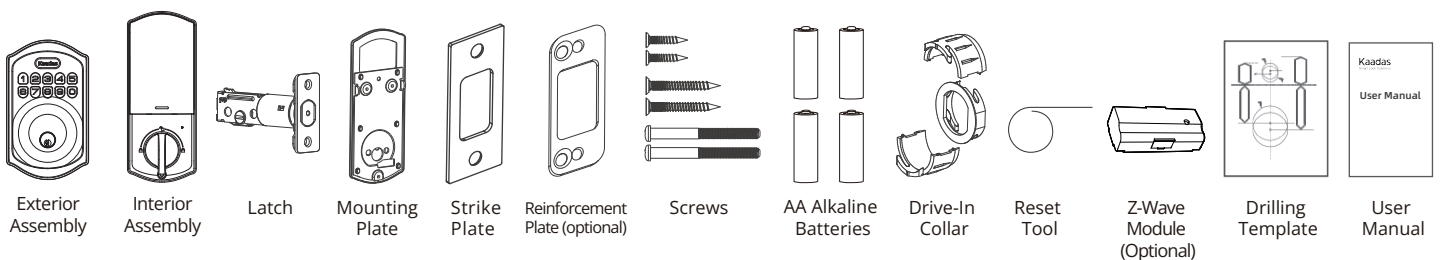
Matte Black



Specifications

Bolt Type	Standard Deadbolt	Automatic Handing	Yes
Application	Residential Door	Wrong-Entry Alarm	10 times/3min
Main Material	Zinc Alloy	Low Battery Alarm	Yes
Battery	4 AA Alkaline Batteries	Jam Alarm	Yes
Keypad Type	Backlit Push Button	IP Rating	IP65 Rated Dust Proof Water Proof
PIN Code	Master PIN Code x 1 User PIN Code x 250 One-Time PIN Code x 1	Working Temperature	-22 to 140°F (-30-60°C)
Code Length	4-10	Door Prep Size	1.5/2.13 inch (38/54mm) Adjustable
Fingerprint Quantity	N/A	Door Thickness	1.38 to 1.97 inch (35-50mm)
Safety Function	Auto Lock One-Time PIN Code Lockout Mode Away Mode	Backset	2.36/2.76 inch (60mm/70mm) Adjustable
Keyway	SC1	IoT Connection	Z-Wave

What's in the box



More options and compatible products at <https://kaadassolutions.com>